

Weyn-Lauwers N.V.

Industriepark-Noord 12
B - 9100 SINT-NIKLAAS

Tel. : 00 32 (0)3 776.34.13
Fax : 00 32 (0)3 778.09.52
weynlauwers@weynlauwers.be
www.weynlauwers.be

**CHECK VALVE
SS316 - FF - PN63
FIG 715**

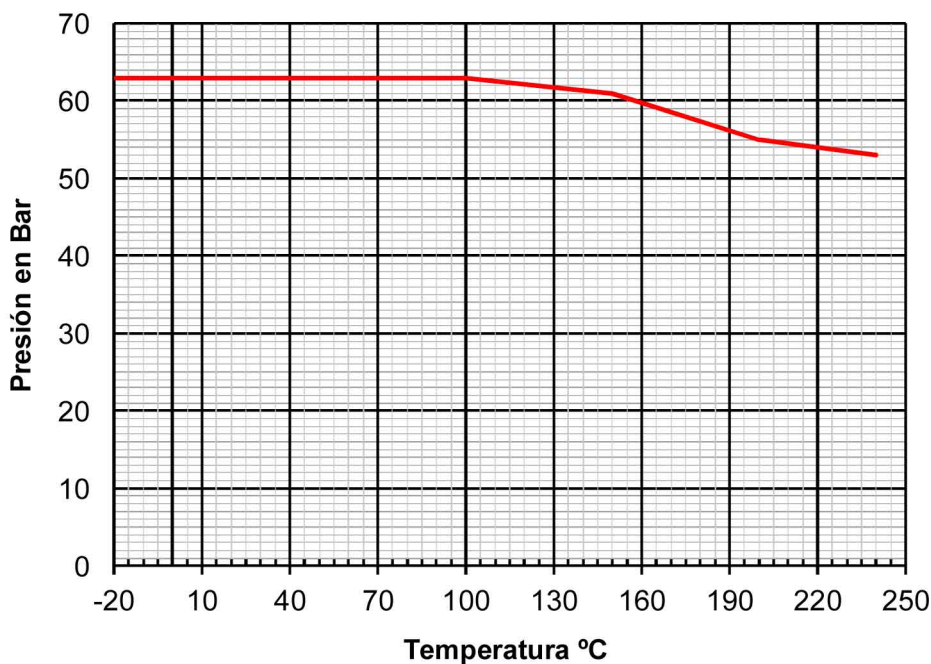
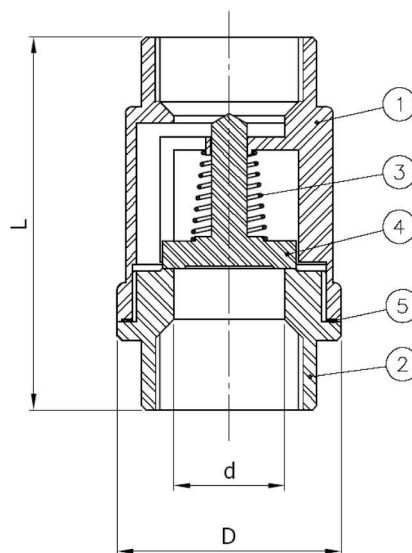
DESIGN FEATURES

- SS316 check valve PN63
- temp : -25°C +240°C
- specifications :
 - disc check valve, metal to metal sealing
 - thread ends gas female-female cylindric BSP
 - for all common fluids
 - all positions
 - respect the flow direction indicated by arrow



MATERIALS

item	Part name	Material
1	body	1.4408 (CF8M)
2	cap	1.4408 (CF8M)
3	spring	AISI 316
4	disc	1.4408 (CF8M)
5	gasket	PTFE



SIZE (in mm)

DN	1/4"	3/8"	1/2"	3/4"	1"	1 1/4"	1 1/2"	2"	2 1/2"	3"	4"
d	8	10	15	20	25	30	38	47	61	75	94
D	30,5	30,5	37	42	48	58	70	82	102,5	120	150
L	53	53	56	63	74	81	91	97	118	138	158
kg	0,17	0,16	0,21	0,29	0,41	0,66	0,99	1,42	2,44	3,8	6,6
ref.	207810	207811	207812	207813	207814	207815	207816	207817	207818	207819	207820
opening pressure mbar	80~90	60~70	55~65	50~60	45~50	35~40	25~30	25~30	25~30	20~25	20~25